



MARCA

MODELO



CHIPPER 1480 TQG V19

Categoría producto: BIOTRITUTADOR

Grupo producto: GASOLINA

Cilindrada: 420 c.c.

Versión: TQGV19

Publicación: 02-19

Cód. 60G-0019

FIG 1

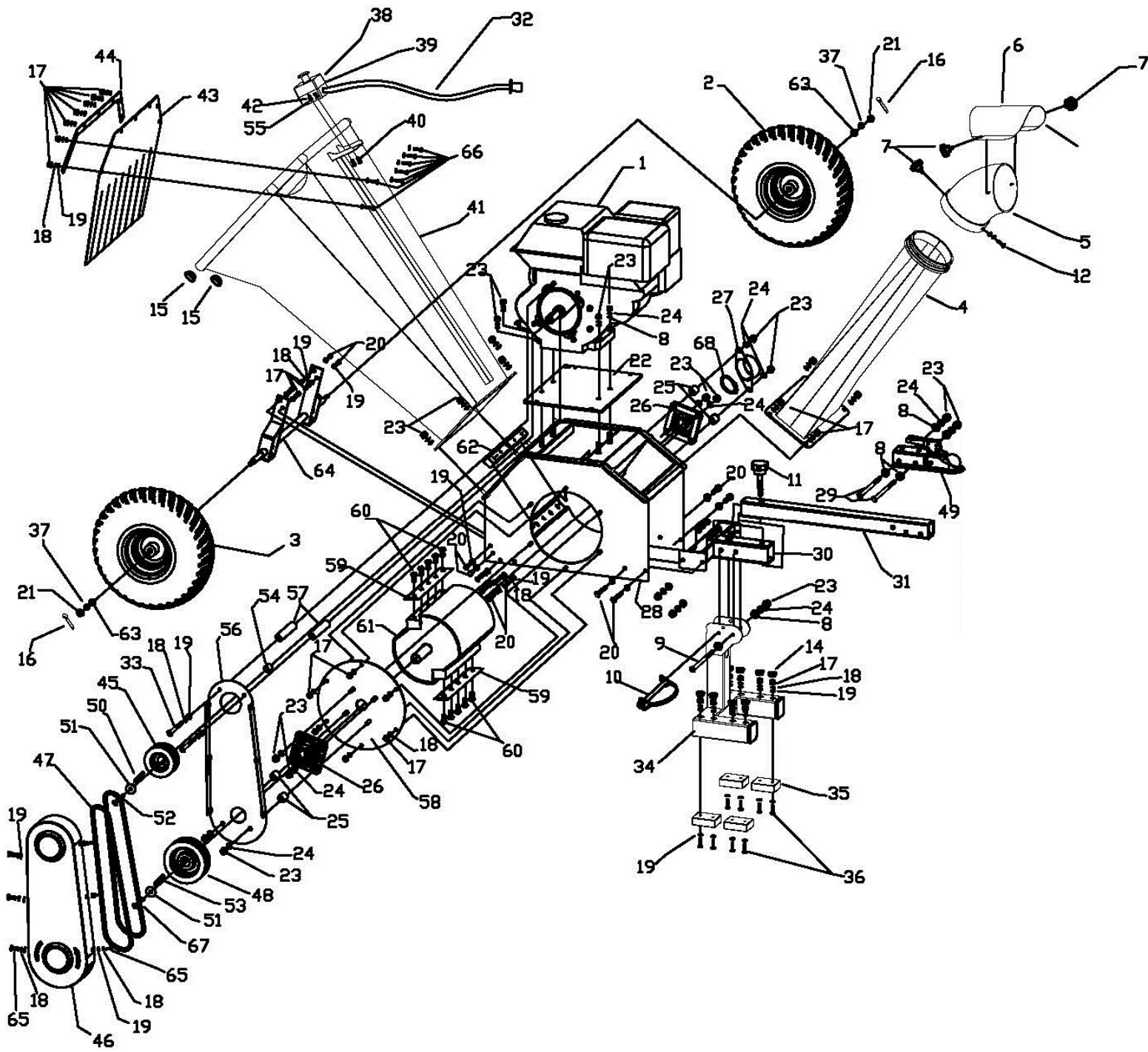


FIG. 1 CHIPPER 1480 TQG V19

Nº	Nº Ref.	Descripción	English name	Uds.
1	GBK150-2-1	Motor 420 cc	Engine 420	1
2	GBK150-2-2	Rueda izquierda	Left wheel	2
3	GBK150-2-3	Rueda derecha	Right wheel	2
4	GBK150-2-4	Tolva salida	Side hopper	1
5	GBK150-2-5	Boquilla tolva salida	Turning part of outlet hopper	1
6	GBK150-2-6	Placa ajuste	Adjusting plate	1
7	GBK150-2-7	Pomo	Knob	1
8	GBK150-2-8	Arandela	Washer 10x20x2	22
9	GBK150-2-9	Tornillo	M10x90	1
10	GBK150-2-10	Pasador cierre	D-Pin	1
11	GBK150-2-11	Pomo ajuste	Knob	1
12	GBK150-2-12	Tornillo	Screw M8x10	1
13	GBK150-2-13	Tornillo	Screw M8x20	1
14	GBK150-2-14	Arandela	Washer	8
15	GBK150-2-15	Goma amortiguador	Rubber	2
16	GBK150-2-16	Clip	Clip	2
17	GBK150-2-17	Tornillo	Screw M8	32
18	GBK150-2-18	Arandela	Washer 8	42
19	GBK150-2-19	Arandela	Washer 8x16x1.6	67
20	GBK150-2-20	Tornillo	Screw M8x25	13
21	GBK150-2-21	Arandela	M10	2
22	GBK150-2-22	Placa base motor	Engine base plate	1
23	GBK150-2-23	Tuerca	Nut M10	18
24	GBK150-2-24	Arandela	Washer 10	22
25	GBK150-2-25	Casquillo	Sleeve	4
26	GBK150-2-26	Cojinete bloqueo	Bearing block	2
27	GBK150-2-27	Tapa cojinete	Bearing block cap	1
28	GBK150-2-28	Caja cuchillas	Blades box	1
29	GBK150-2-29	Tornillo	Screw M10x80	2
30	GBK150-2-30	Enganche	Connect pipe	1
31	GBK150-2-31	Barra enganche	Hitch bar	1
32	GBK150-2-32	Cable	Wire	1
33	GBK150-2-33	Tornillo	Screw M8x60	2
34	GBK150-2-34	Pie soporte	Support feet	2

FIG. 1 CHIPPER 1480 TQG V19

Nº	Nº Ref.	Descripción	English name	Uds.
35	GBK150-2-35	Amortiguador	Rubber	4
36	GBK150-2-36	Tornillo	Screw M8x30	8
37	GBK150-2-37	Arandela	Washer 12	2
38	GBK150-2-38	Interruptor emergencia	Emergency stop switch	1
39	GBK150-2-39	Caja interruptor	Switch box	1
40	GBK150-2-40	Tornillo	Screw M5x12	2
41	GBK150-2-41	Tolva entrada	Feed hopper	1
42	GBK150-2-42	Tuerca	Nut M5	2
43	GBK150-2-43	Protector seguridad	Safety protector	1
44	GBK150-2-44	Placa soporte protector	Protector plate	1
45	GBK150-2-45	Polea correas pequeña	Small belt pulley	1
46	GBK150-2-46	Caja correas	Belt cover	1
47	GBK150-2-47	Correa	Belt	2
48	GBK150-2-48	Polea correas grande	Big belt pulley	1
49	GBK150-2-49	Enganche bola	Hitch trailer	1
50	GBK150-2-50	Pasador polea pequeña	Small pin	1
51	GBK150-2-51	Arandela	Washer 10x40x3	2
52	GBK150-2-52	Tornillo	Screw	1
53	GBK150-2-53	Pasador polea pequeña	Big pin	1
54	GBK150-2-54	Casquillo	Sleeve	1
55	GBK150-2-55	Arandela	Washer 5x12x1	2
56	GBK150-2-56	Tapa correas	Vice belt cover board components	1
57	GBK150-2-57	Casquillo	Sleeve	2
58	GBK150-2-58	Placa sujecion	Bearing fixed plate	1
59	GBK150-2-59	Cuchilla	Blade	2
60	GBK150-2-60	Tornillo cuchilla	Hex bolt	10
61	GBK150-2-61	Chasis trituración	Blade drum	1
62	GBK150-2-62	Placa soporte cuchilla	Blade adjustment block	1
63	GBK150-2-63	Arandela	Washer 12X30X3	2
64	GBK150-2-64	Soporte eje ruedas	Wheel axle stand	1
65	GBK150-2-65	Tornillo	Screw M8X16	6
66	GBK150-2-66	Tornillo	Screw M8X20	7
67	GBK150-2-67	Tornillo	Screw M10x25	2
68	GBK150-2-68	Junta	Gasket 30	1